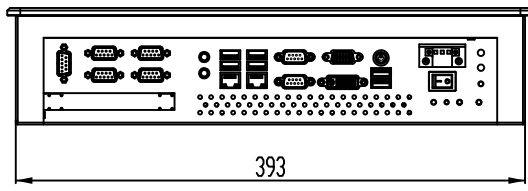
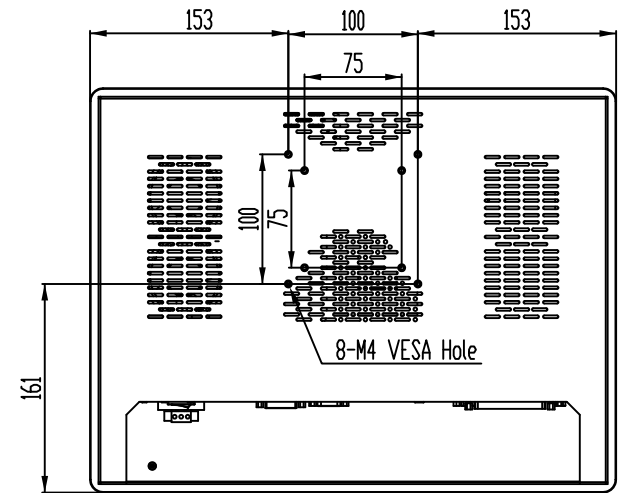
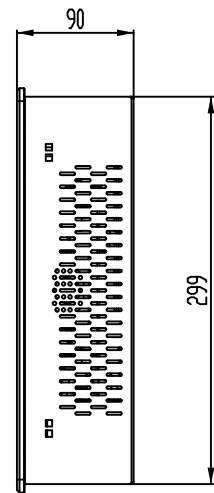
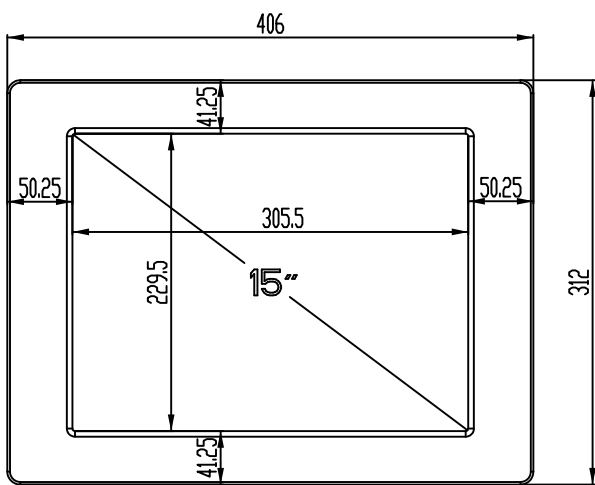
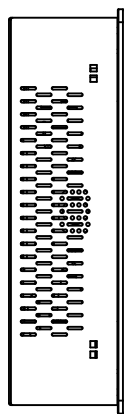
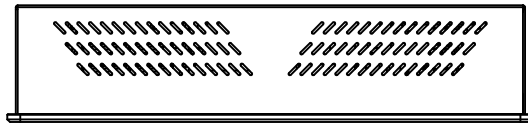


6	7	8
MARK △	DATE	UPDATE DESCRIPTION
		SIGN
		APPROVER



CUT OUT DIMENSION (395x301mm) UNIT:mm

* Note: this is a simplified drawing and some components are not marked in detail. Please contact our sales representative if you need further product information.

Ver.	A0	FINISHING	
Q'ty	1	MATERIAL	
SELECT V	V		
DIM	TOL	A	B
		C	D
		EXTRA	3RD ANGLE'S
~8	±0.03	±0.05	±0.10
8~25	±0.05	±0.08	±0.20
25~80	±0.08	±0.12	±0.30
80~250	±0.12	±0.20	±0.40
250~	±0.20	±0.30	±0.50
ANGLE TOL	±0.2°	±0.3°	±0.4°
		±0.5°	
			DATE
			05-Mar-14
TITLE	IPC-I5615M-2R-ASSY		
DRAWIN NO.	IPC-I5615M-2R-3D3V.DWG		
MODEL NO.	IPC-I5615M-2R	SCALE	0.25
PART NO.	***	UNIT:	MM
		SIZE	A3
		SHEET:	1 OF 1