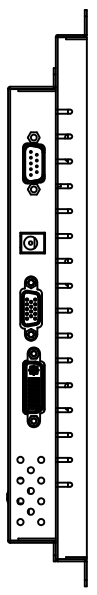
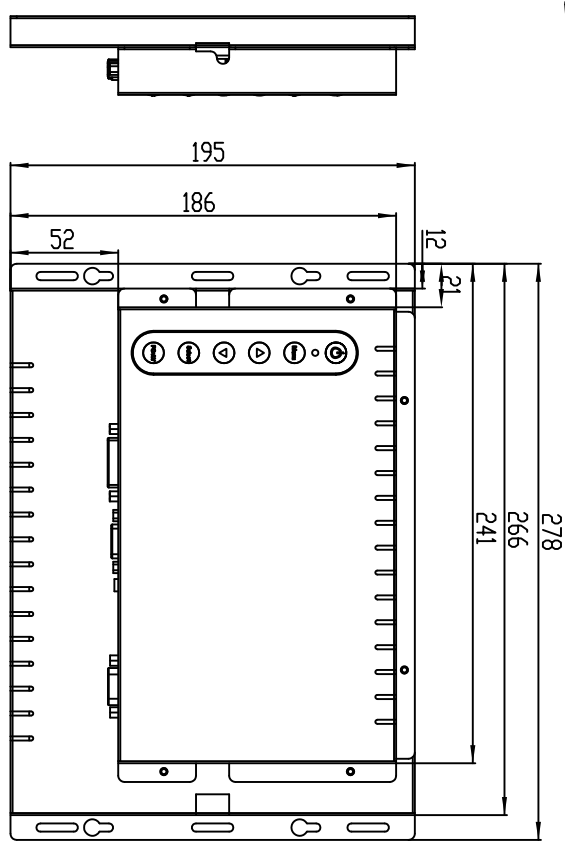
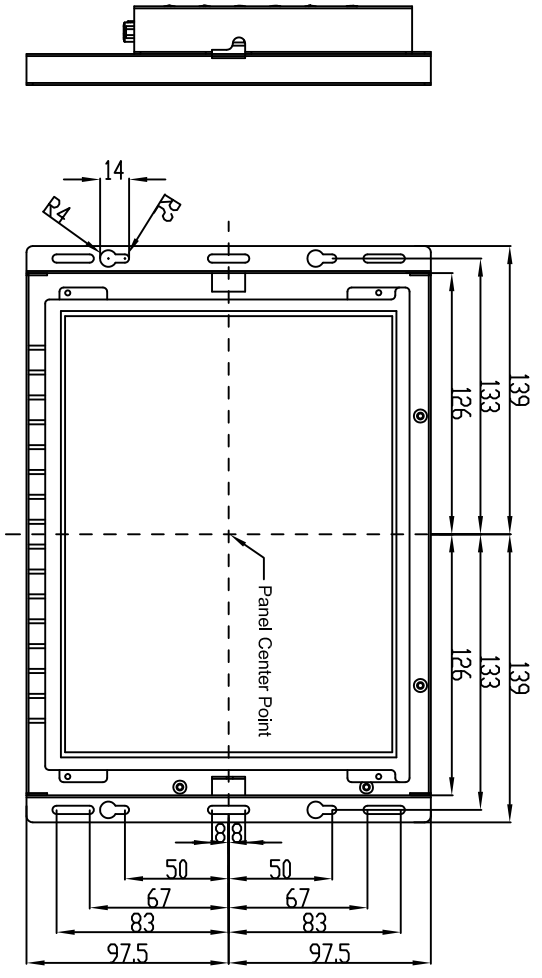
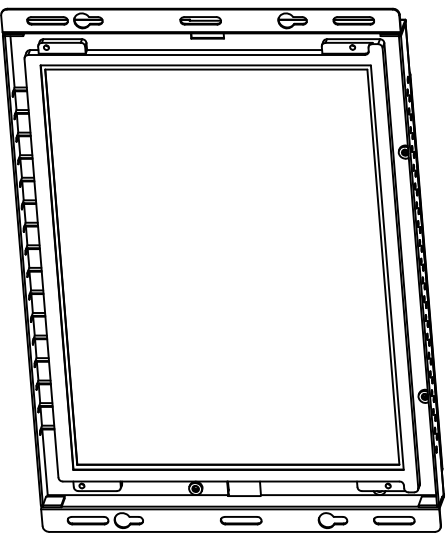


| | | | | |
|------|------|--------------------|------|----------|
| MARK | DATE | UPDATE DESCRIPTION | SIGN | APPROVER |
| △ | | | | |



| | | | |
|-----------|--------------------|-----------|------------|
| Ver. | A0 | FINISHING | |
| QTY | 1 | MATERIAL | |
| SELECT V | V | EXTRA | 3RD ANGLES |
| DIM TOL | A | B | C |
| -8 | ±0.03 | ±0.05 | ±0.10 |
| 8-25 | ±0.05 | ±0.08 | ±0.20 |
| 25-50 | ±0.08 | ±0.12 | ±0.30 |
| 50-250 | ±0.12 | ±0.20 | ±0.40 |
| 250+ | ±0.20 | ±0.30 | ±0.50 |
| ANGLE TOL | ±0.2° | ±0.3° | ±0.4° |
| | | | ±0.5° |
| TITLE | FBI-10420 | DATE | 04-Dec-12 |
| DRAWN NO. | FBI-10420-3D3V.DWG | DESIGNED | |
| CHECKED | | DATE | |
| APPROVED | | DATE | |
| | | | |
| MODEL NO. | FBI-10420 | SCALE | 0.4 |
| PART NO. | *** | UNIT | MM |
| | | SIZE | A3 |
| | | SHEET | 1 OF 1 |